

## Roof exit switch US-3-R/US-6-R

# Operating instructions



**Before installation, read these instructions carefully and completely.**

### 1 General

The roof exit switch *US-3-R/US-6-R* (3/6-position switch) is connected to the line for automatic detectors of an SHE control centre. When activated, the alarm function of the control centre is activated to open the SHV. The roof domes opened in this way can then be used as roof exits.

The alarm function can only be reset by turning the roof exit switch back to the zero position. The domes can then only be closed manually using the ventilation button or by activating the "Auto Close" function of the control centre.




**Do not change the setting of the selector switch on the connection board.  
 Before operating, check whether alarm forwarding needs to be deactivated and ensure  
 that no damage can be caused by wind/rain.**

**There is a risk of crushing and trapping when closing roof domes! Therefore, it is essential to ensure that no persons are in the vicinity of the roof exit.**

### 2 Technical data

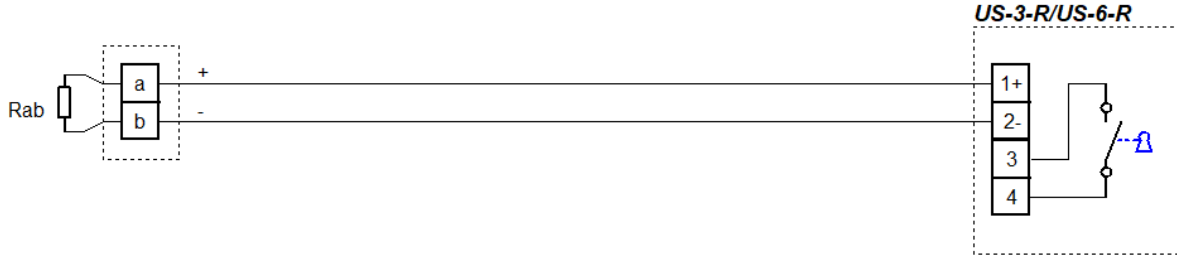
Type	<i>US-3-R</i>	<i>US-6-R</i>
Part number	8301US310001	8301US610001
Labelling	"Roof exit switch"	
Integrated resistors:		
• Alarm resistor (Ral)	1,5 kΩ	
• Terminating resistor (Rab)	10 kΩ	
Storage/operating conditions:		
• Temperature	-5 °C ... +40 °C	
• Relative humidity	20 % ... 80 %, non-condensing	
Enclosure:		
• Material	Plastic	Plastic
• Colour	Grey (like RAL 7035)	Polar white
• Protection rating	IP54	IP10
• Dimensions in mm (W x H x D)	72 x 80 x 56	80 x 80 x 61
Details and scope of delivery	Surface-mounted key switch (incl. key), key can be removed in engaged position	Surface mounted key switch (without sectional half cylinder <i>PHZ</i> )

The requirements of the Directives 2014/35/EU and 2014/30/EU are met.   
 Suitable for operation in residential, business and commercial areas.

**3 Installation**

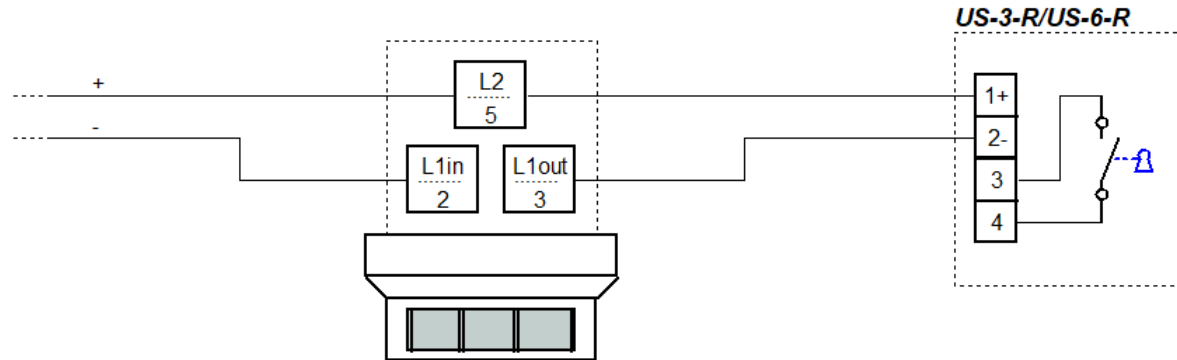
Fasten the roof exit switch *US-3-R/US-6-R* securely to a wall using suitable mounting material and connect it according to the connection diagrams.

**3.1 Connection to the terminals of the signalling line (☒) in an SHE control centre**



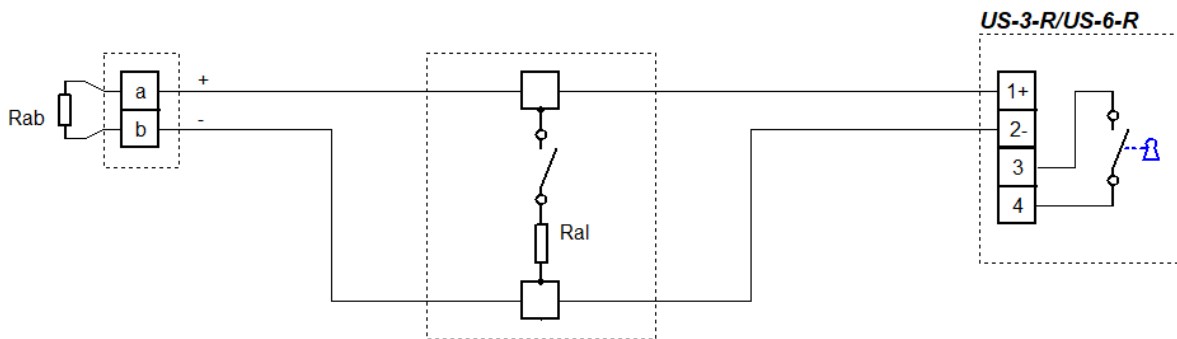
**i** Remove the terminating resistor Rab when connecting the roof exit switch.

**3.2 Connection to an automatic fire detector**



**i** Type RM 2/TM 2: Terminals L1 in, L1 out and L2  
 Type RM 3/TM 3: Terminals 2, 3 and 5

**3.3 Connection to a fire alarm control panel**



**i** Remove the terminating resistor Rab when connecting the roof exit switch.